

SEAT ASSEMBLY

Parts required :

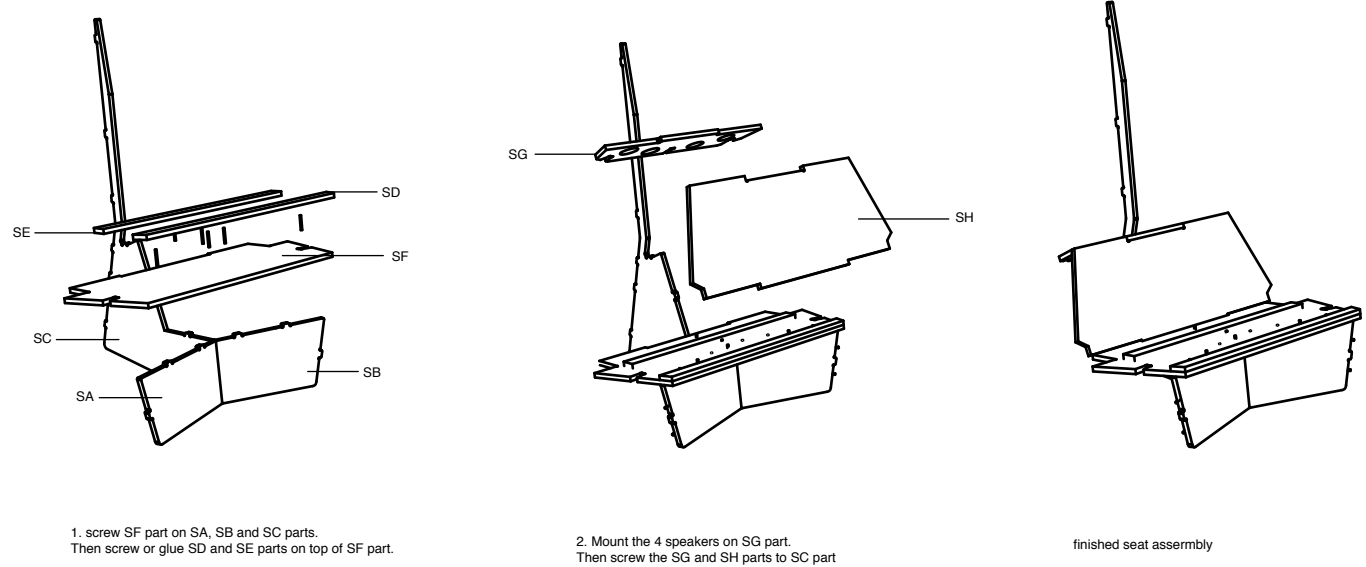
- 1x SA : left seat front panel
- 1x SB : right seat front panel
- 1x SC : main seat frame
- 1x SD : front seat pad riser
- 1x SE : back seat pad riser
- 1x SF : seat panel
- 1x SG : speakers holder
- 1x SH : seat backrest

- 13x 6mm x 60mm wood screws
- Wood glue

- 4x speakers visaton FRS-8 or other 80mm diam. speakers

Tools required :

- 4mm wood drill for predrilling
- mallet
- cordless drill



OUTER SHELL ASSEMBLY

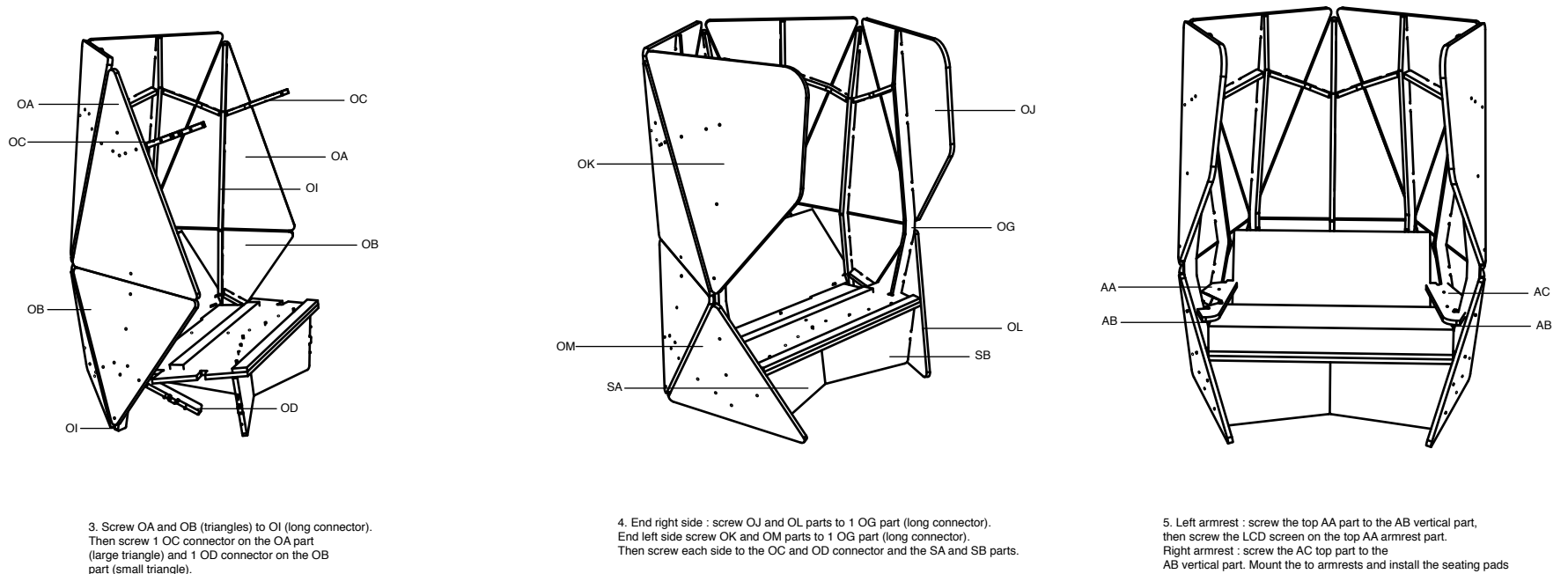
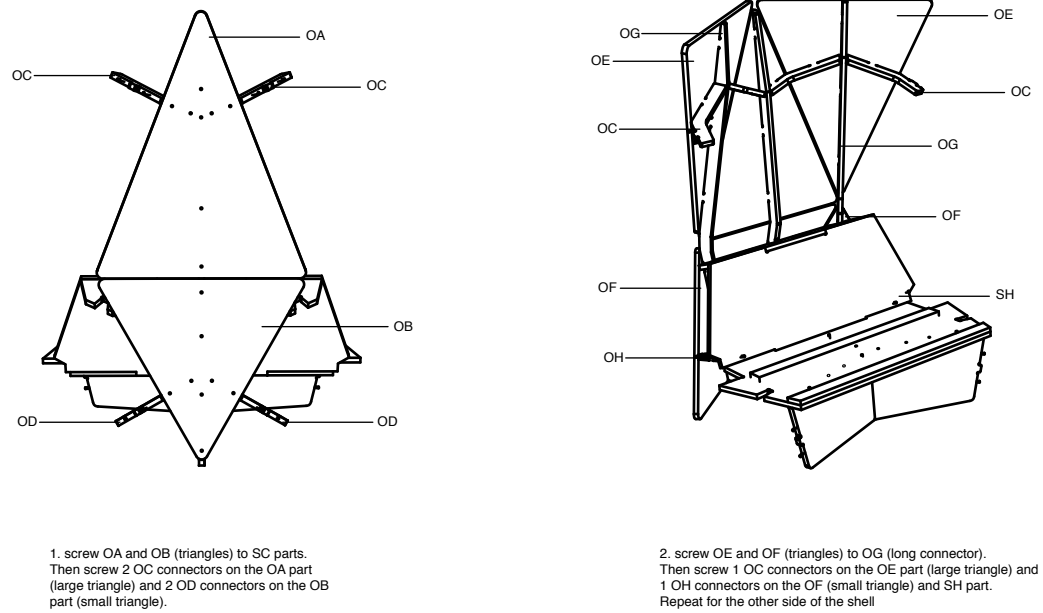
Parts required :

- 3x OA : upwards large triangle
- 3x OB : downwards small triangle
- 6x OC : small upper connector
- 4x OD : large lower connector
- 2x OE : downwards large triangle
- 2x OF : upwards small triangle
- 4x OG : long vertical outwards connector
- 2x OH : backrest connector
- 2x OI : long vertical inwards connector
- 1x OJ : upper right end panel
- 1x OK : upper left end panel
- 1x OL : lower right end triangle
- 1x OM : lower left end triangle
- 1x AA : left armrest top part
- 2x AB : armrests vertical part
- 1x AC : right armrest top part

- 96x 6mm x 60mm wood screws

Tools required :

- 4mm wood drill for predrilling
- mallet
- cordless drill



Parts list :

- SA : left seat front panel
- SB : right seat front panel
- SC : main seat frame
- SD : front seat pad riser
- SE : back seat pad riser
- SF : seat panel
- SG : speakers holder
- SH : seat backrest
- OA : upwards large triangle
- OB : downwards small triangle
- OC : small upper connector
- OD : large lower connector
- OE : downwards large triangle
- OF : upwards small triangle
- OG : long vertical outwards connector
- OH : backrest connector
- OI : long vertical inwards connector
- OJ : upper right end panel
- OK : upper left end panel
- OL : lower right end triangle
- OM : lower left end triangle
- AA : left armrest top part
- AB : armrests vertical part
- AC : right armrest top part

